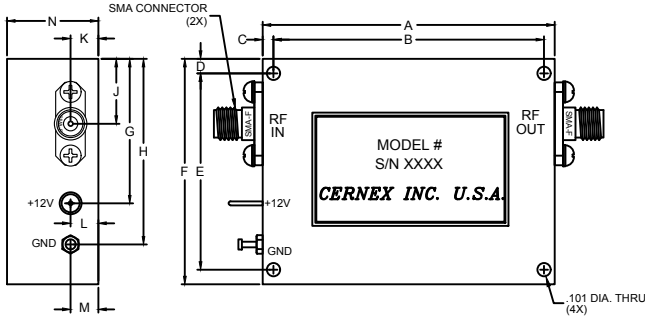
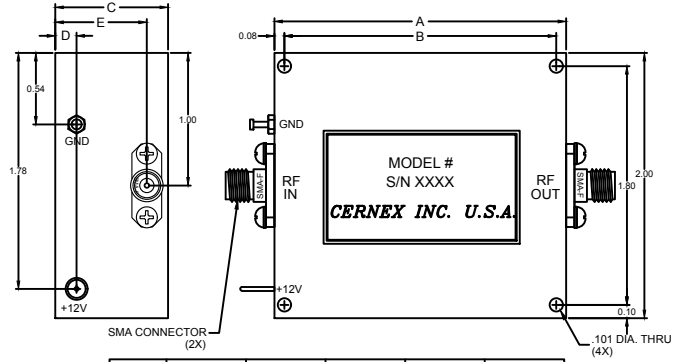


SN Series



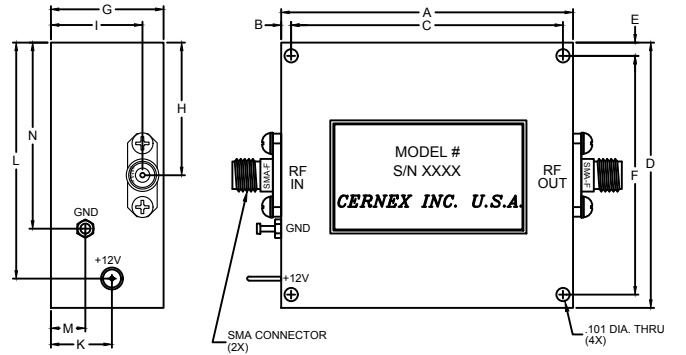
CASE	A	B	C	D	E	F	G	H	J	K	L	M	N
SN8	2.22	2.041	.080	.110	1.480	1.700	1.090	1.400	.490	.200			.600
SN9	2.44	2.270	.085	.110	1.480	1.700	1.090	1.400	.490	.200			.600
SN10	2.67	2.494	.090	.110	1.480	1.700	1.090	1.400	.490	.200			.600
SN8-1	2.201	2.041	.080	.110	1.480	1.700	1.090	1.400	.490	.200	.200	.200	.600
SN8B-1	2.22	2.02	.100	.103	1.80	2.00	1.43	1.826	.680	.249	.167	.376	.600
SN121	3.12	2.88	.120	.12	2.06	2.30	1.65	1.26	.75	.230	.16	.48	.600
SN14-1	3.542	3.302	.120	.12	2.056	2.296	1.650	1.258	.754	.230	.190	.478	.850

DN Series



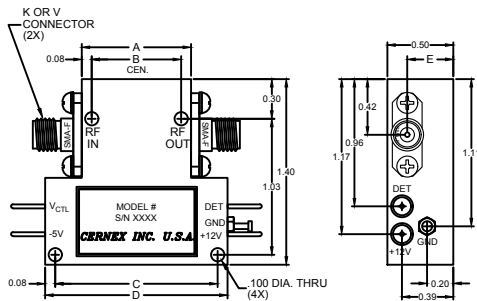
CASE	A	B	C	D	E
DN8	2.20	2.05	0.85	0.16	0.69
DN10	2.65	2.50	0.85	0.16	0.69
DN12	3.10	2.95	0.85	0.16	0.69
DN14	3.54	3.39	0.75	0.13	0.62

DN-1 Series

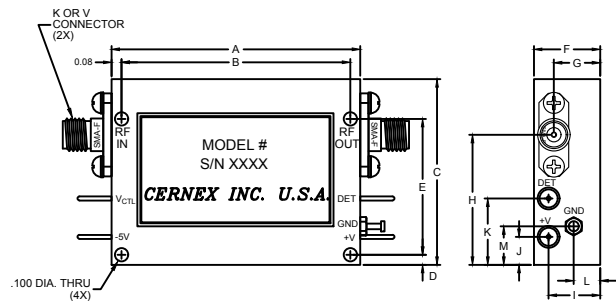


CASE TYPE	DIMENSIONS												
	A	B	C	D	E	F	G	H	I	K	L	M	N
DN8-1	2.20	.075	2.05	2.00	.100	1.80	.85	1.000	.69	.16	1.78	.16	.54
DN10-1	2.65	.075	2.50	2.00	.100	1.80	.85	1.000	.69	.16	1.78	.16	.54
DN12-1	3.10	.060	2.98	2.81	.100	2.61	.75	1.000	.62	.59	2.46	.44	1.96
DN14-1	3.54	.060	3.42	2.81	.100	2.61	.75	1.000	.62	.59	2.46	.44	1.96

FK and FV Series



CASE TYPE	DIMENSIONS			
	A	B	C	D
FK2	.83	.68	1.23	.35
FV2	.83	.68	1.23	.34



CASE TYPE	DIMENSIONS												
	A	B	C	D	E	F	G	H	I	J	K	L	M
FK3	1.54	1.39	1.33	.100	.99	.40	.25	.96	.28	.23	.46	.12	.33
FK4	1.88	1.73	1.40	.075	1.03	.50	.30	.98	.39	.21	.50	.20	.29

TOLERANCES: .XXX ±.005
: .XX ±.01