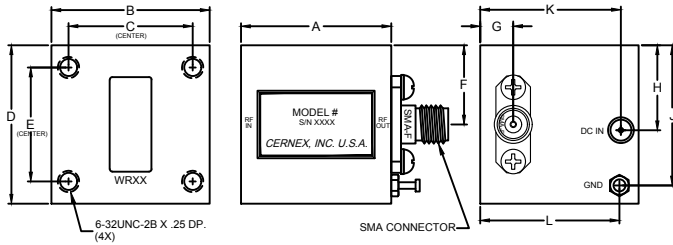
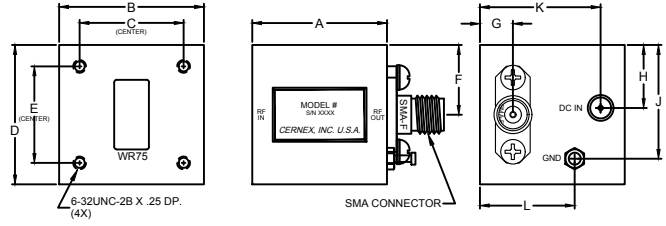


CW SERIES



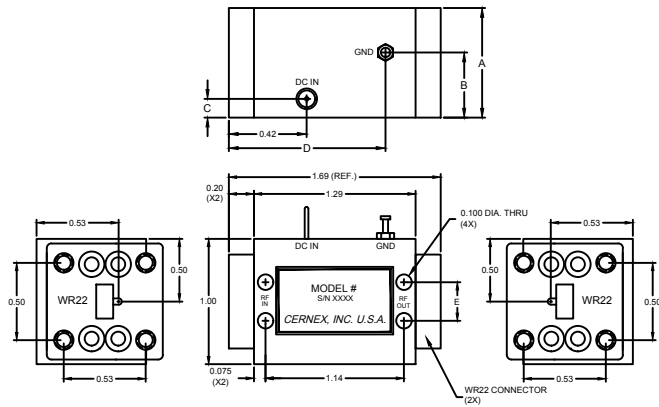
CASE TYPE	DIMENSIONS										
	A	B	C	D	E	F	G	H	J	K	L
CW62-5	1.69	1.31	0.96	1.31	0.99	0.66	0.22	0.57	0.91	1.11	1.10
CW90-2	1.02	1.66	1.28	1.63	1.22	0.82	0.38	0.73	1.06	1.41	1.41
CW102-6	1.91	1.69	1.34	1.69	1.28	0.85	0.34	0.76	1.10	1.49	1.35
CW112-2	1.02	1.88	1.47	1.88	1.35	0.94	0.39	1.01	1.67	1.67	1.67
CW112-4	1.47	1.88	1.47	1.88	1.35	0.94	0.39	1.01	1.67	1.67	1.67

CW75 SERIES



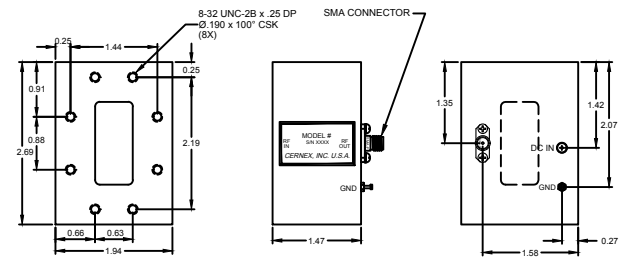
CASE TYPE	DIMENSIONS										
	A	B	C	D	E	F	G	H	J	K	L
CW75-2	1.02	1.56	1.12	1.50	1.04	0.75	0.34	0.67	1.00	1.36	1.22
CW75-4	1.45	1.56	1.12	1.50	1.04	0.75	0.43	0.75	1.07	1.36	1.36
CW75-5	1.67	1.56	1.12	1.50	1.04	0.75	0.43	0.75	1.07	1.36	1.36

WR22 SERIES with WAVEGUIDE CONNECTORS

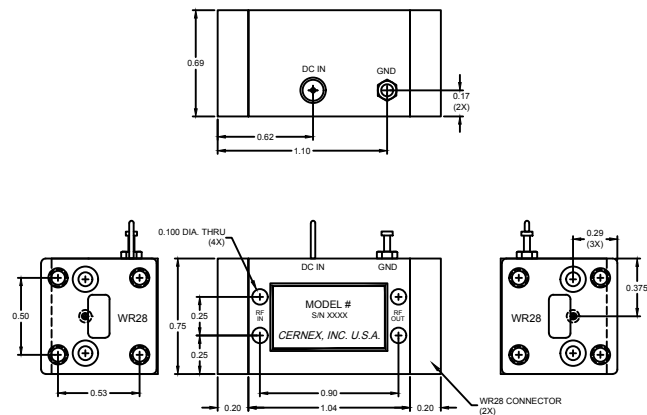


CASE TYPE	A	B	C	D	E
CW22-4	.70	.18	.18	1.15	.25
CW22-4A	.88	.52	.15	1.05	.48

CW137-4



CW28-3 with WAVEGUIDE CONNECTORS



TOLERANCES: .XX ±.01