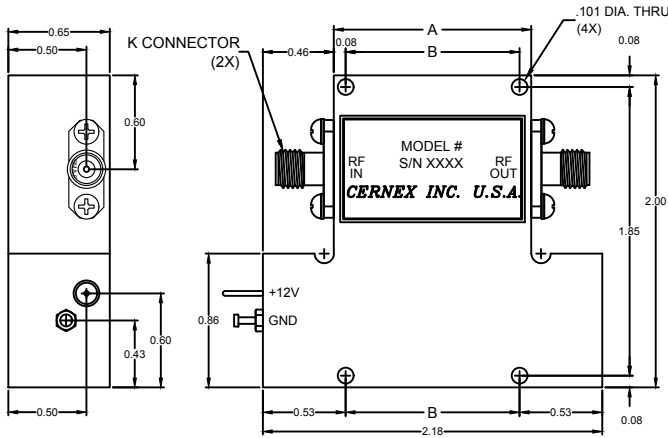
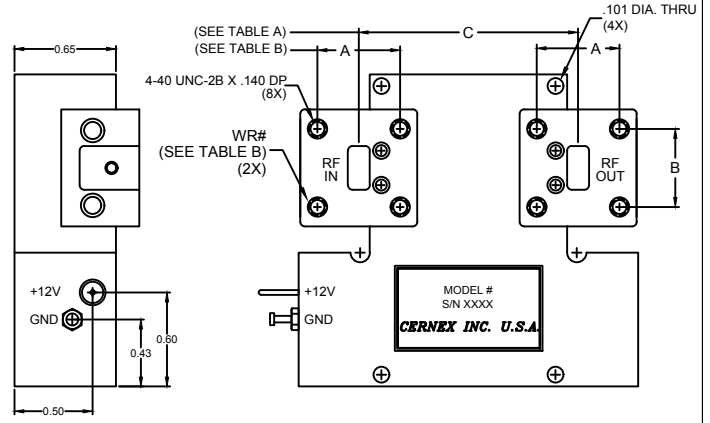


## MKP Series with COAXIAL CONNECTORS



CASE TYPE	DIMENSIONS	
	A	B
MKP4	1.27	1.115
MKP5	1.49	1.345
MKP6	1.71	1.570
MKP7	1.93	1.790

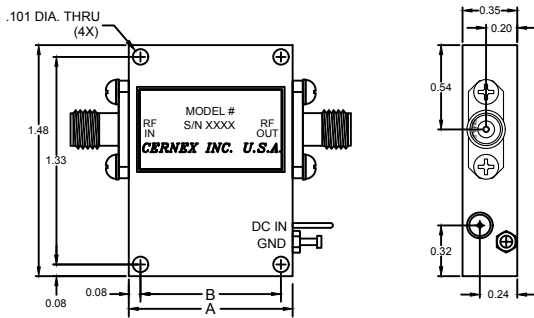
## MKP Series with WAVEGUIDE CONNECTORS



CASE TYPE	C
MKP4	1.4
MKP5	1.7
MKP6	1.9
MKP7	2.1

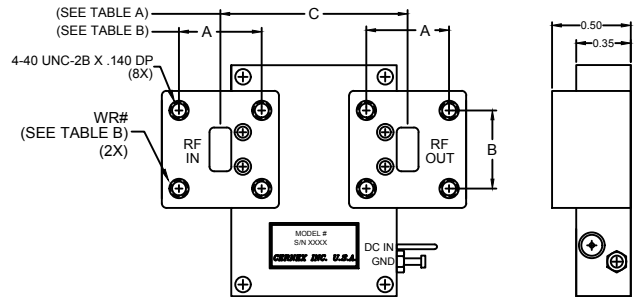
WR#	A	B
WR42	.67	.64
WR34	.67	.64
WR28	.53	.50
WR22	.53	.50
WR19	.53	.50

## MK, MVC Series with COAXIAL CONNECTORS



CASE TYPE		DIMENSIONS	
		A	B
MK1	MVC1	0.68	0.534
MK2	MVC2	0.83	0.684
MK3	MVC3	1.05	0.900
MK4	MVC4	1.284 (MK4) 1.275 (MVC4)	1.134 (MK4) 1.125 (MVC4)
MK5	MVC5	1.51	1.350
MK6	MVC6	1.71	1.570

## MK, MVC Series with WAVEGUIDE CONNECTORS



CASE TYPE		C				
		WR42	WR34	WR28	WR22	WR19
MK2	MVC2	1.00	1.00	0.97	0.95	0.93
MK3	MVC3	1.22	1.22	1.19	1.16	1.14
MK4	MVC4	1.45	1.45	1.42	1.40 (MK4) 1.39 (MVC4)	1.38 (MK4) 1.37 (MVC4)
MK5		1.68	1.68	1.65	1.62	1.60

WR#	A	B
WR42	.67	.64
WR34	.67	.64
WR28	.53	.50
WR22	.53	.50
WR19	.53	.50