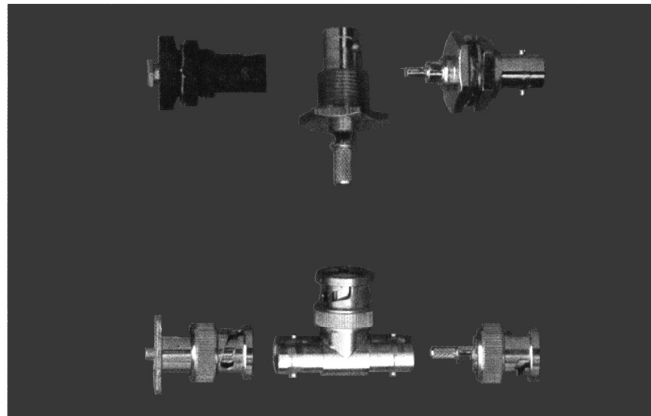


## SERIES BNC REVERSE POLARITY RF COAXIAL CONNECTORS



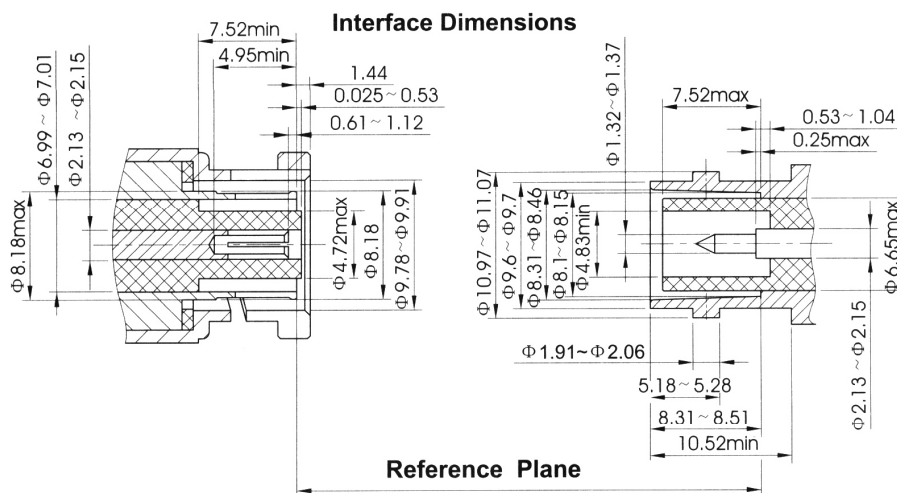
Series BNC inversion of jack and plug RF connectors used in some occasions, such as has strictly differentiated input and output entrance and has special used entrance.

### Key performance

- Characteristic Impedance : 50 Ω
- Frequency range : 0~4GHz
- Contact resistance :
  - Center conductor ≤2.0m Ω
  - Out conductor ≤0.2m Ω
- Insulation resistance : ≥5000M Ω
- Insulator voltage withstanding : 1500V
- VSWR : ≤1.30
- Connector durability : 500 cycles
- Applicable spec/std : MIL-C-39012

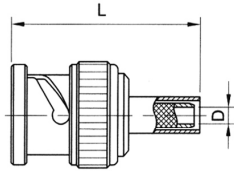
### Material

- Center contacts:
  - Male---brass, gold plated.
  - Female---phosphor bronze, gold plated
- Bodies and other metal parts:
  - brass, nickel plated
- Insulators: Teflon
- Crimp ferrule: copper, nickel plated.
- Gasket and seal rings: silicone rubber
- Heat-shrink tubing: thermofit plastic.

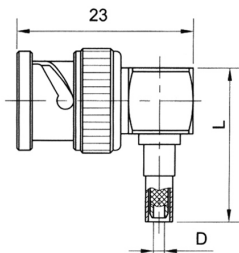


# REVERSE POLARITY BNC

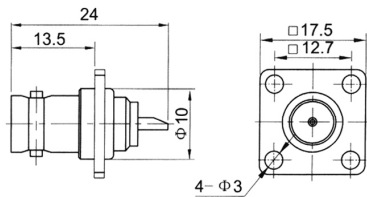
**CERNEX, Inc.**



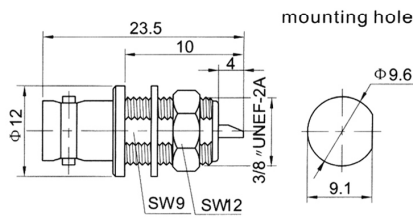
Type	part number	suitable cable	L	D	Note
BNC-FK3Y	8321-6503	3	27	Φ1.6	
BNC-FK5Y	8321-6504	5	27.8	Φ3.1	



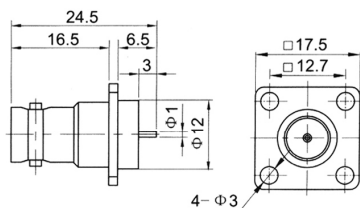
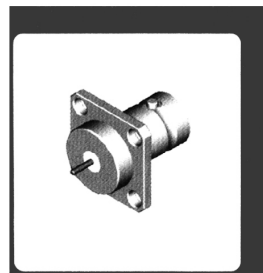
Type	part number	suitable cable	L	D	Note
BNC-FKW3Y	8341-6503	3	21.1	Φ1.6	
BNC-FKW5Y	8341-6504	5	26	Φ3.1	



Type	part number	Note
BNC-FJF	8311-1901	



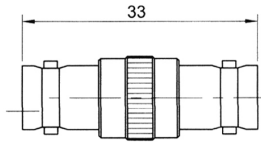
Type	part number	Note
BNC-FJY	8311-2901	



Type	part number	Note
BNC-FJFD	8311-0001	

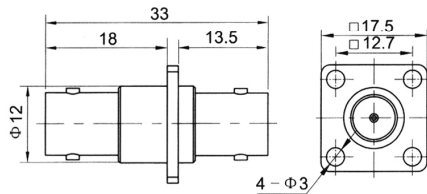
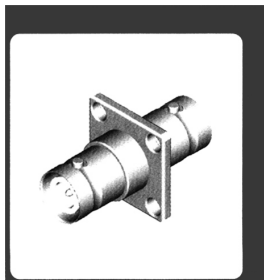
# REVERSE POLARITY BNC

**CERNEX, Inc.**



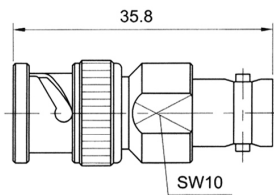
Type	part number	Note
------	-------------	------

BNC-FJJ	8301-6903	
---------	-----------	--



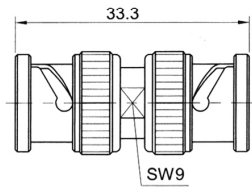
Type	part number	Note
------	-------------	------

BNC-FJF	8301-1901	
---------	-----------	--



Type	part number	Note
------	-------------	------

BNC-FJK	8301-6902	
---------	-----------	--



Type	part number	Note
------	-------------	------

BNC-FKK	8301-6901	
---------	-----------	--